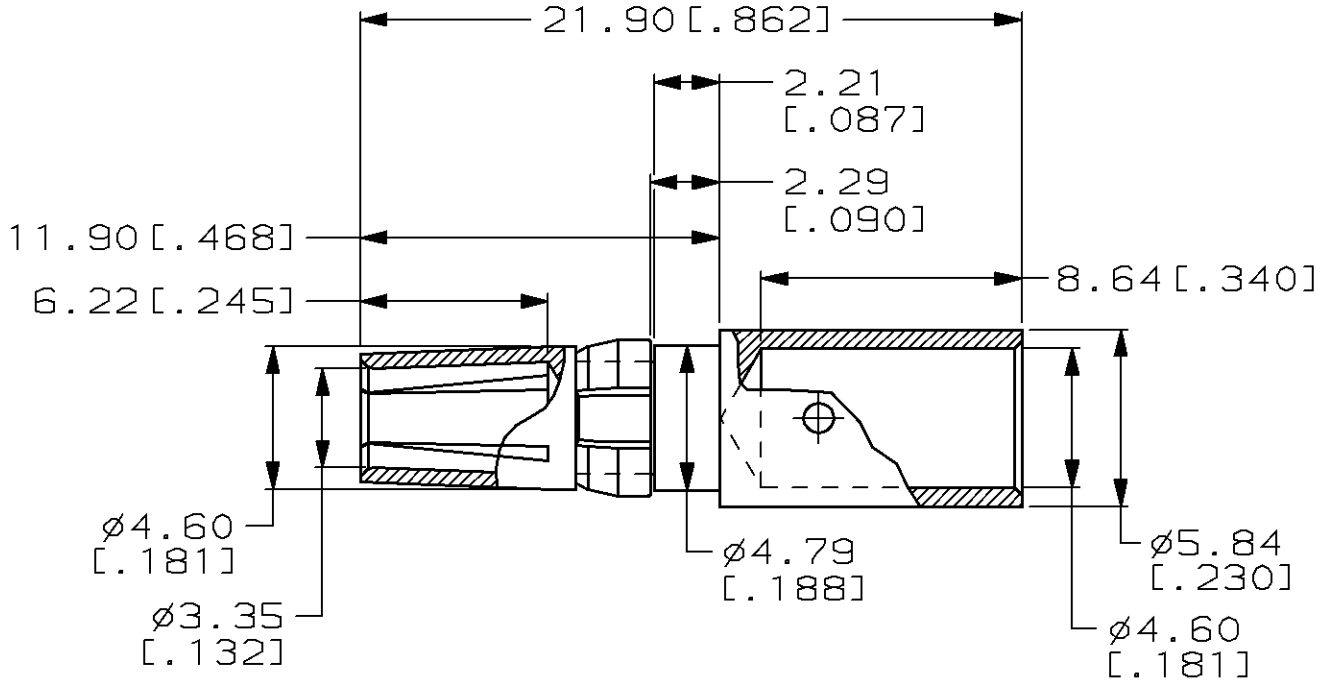


| | | | | | | |
|-----------|------------|-------------|------|-----|------|--|
| LOC AD | DIST 25 | REVISIONS | | | | |
| P | LTR | DESCRIPTION | DATE | DWN | APVD | |
| | 0 | DRAWN | - | - | - | |

1. WIRE BARREL WILL ACCEPT 8 AWG WIRE.
2. MATES WITH PART NUMBER 148430-1.
3. RECOMMENDED CRIMPING TOOL: DANIELS TOOL #M300-BT, POSITIONER PART NUMBER SP689, SETTING #7, STRIP LENGTH 8.13 [.320].



RELEASED FOR PUBLICATION

THIS DRAWING IS UNPUBLISHED.

ALL RIGHTS RESERVED. BY AMP INCORPORATED. COPYRIGHT 19

| | | |
|---------------------------|----------------------------------|-------------|
| 0.00076 [.000030] GOLD | CONTACT; BERYLLIUM COPPER | 148432-1 |
| FINISH | RETAINING RING; BERYLLIUM COPPER | |
| | MATERIAL | PART NUMBER |

| | | | |
|--|---------------------------------|---|---------------|
| DIMENSIONS: mm | DWN L. BRINER 9/14/98 | MATERIAL - | FINISH - |
| | CHK R. PATTERSON 9/14/98 | AMP Incorporated Harrisburg, PA 17105-3608 | |
| TOLERANCES UNLESS OTHERWISE SPECIFIED: | APVD R. PATTERSON 9/14/98 | | |
| 0 PLC ±- | PRODUCT SPEC | SIZE | CAGE CODE |
| 1 PLC ±- | - | A4 | 00779 |
| 2 PLC ±0.13 [.005] | APPLICATION SPEC | DRAWING NO | RESTRICTED TO |
| 3 PLC ±- | - | C- 148432 | - |
| 4 PLC ±- | WEIGHT | CUSTOMER DRAWING | |
| ANGLES ±- | - | SCALE | SHEET |
| | | 4:1 | 1 OF 1 |
| | | | REV 0 |